

The pilot's cockpit is made of 3mm balsa plates. Tape it up for strength. The cockpit contains a battery and electronics. The battery can move to set the center of gravity according to the drawing.

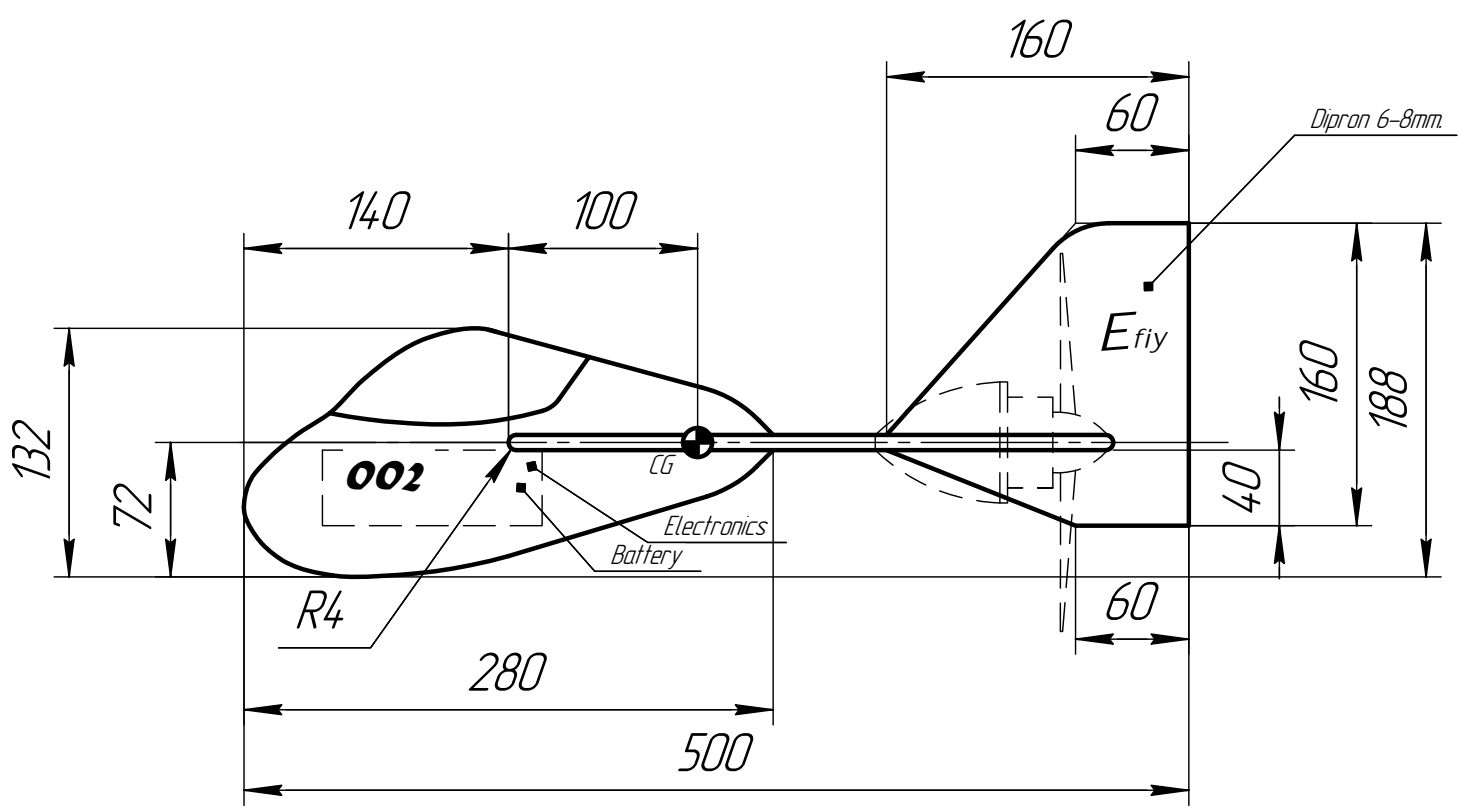
The spar carbon tube is 5mm in diameter.

Dipron 8-10mm.

Plywood 1mm for reinforcement on both sides

Balsa rib 5mm.

The cockpit of the foam



1. Modification of the KOEN-002RC is based on the first successful version of the KOEN-001. The dimensions were doubled. The drawing is free, you can contribute your imagination.
2. The glider model should be made with good Belgian beer.
3. Tests should be performed in the open air.
4. Flight records should be registered with the FAI.
5. The glider is dedicated to the acquaintance of Aleksey and Koen at the AERO-2015 exhibition in April in Germany.

AM 000.000.002 Efly				
Изм. Лист	№ докум.	Подп.	Дата	Аirmodeling E-glider
Разраб.	Sychev A.			Лит. 0.250
Проб.	Sychev P.			Масса 1:4
Т.контр.	Stepfenson B.			Лист 1
И.контр.	Sycheva V.			Мате in Russia
Утв.	Kerckhove K.			VGC
Styrofoam 6-10mm. (Dipron)				Формат A3